

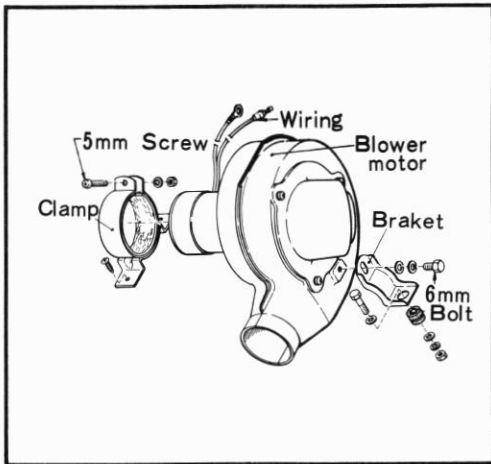
CHAPTER 11: EQUIPMENT

11-1	REMOVAL AND REINSTALLATION OF HEATER	11-1
11-2	SAFETY BELT (OPTIONAL)	11-3
11-3	SUN VISOR	11-4

11-1: REMOVAL AND REINSTALLATION OF HEATER

1: HEATER BLOWER MOTOR

A. REMOVAL OF THE HEATER BLOWER MOTOR



- (a) Remove the rear seat.
- (b) Remove the cabin duct hose from the blower motor.
- (c) Disconnect the motor cord from the wiring harness.
- (d) Loosen the 5 mm screw on the clamp holding the blower motor and remove the installation bold on the blower motor with the spring washer, plain washer and the blower motor will become free.

B. REINSTALLATION

- (a) Insert the blowe motor into the clamp holding it, and fix the 5 mm screw on the clamp and 6 mm bolt on the bracket of the blower motor.
- (b) Install the cabin duct hose of the both side and connect the blower motor cord to the wiring harness.

2: HEATER CHANGE LEVER AND JOINT

- | | |
|--------------------|--------------------|
| (1) Joint Assembly | |
| (2) Lever | (5) 4 mm Screw |
| (3) Body | (6) Defroster Hose |
| (4) Valve | (7) Heater Out Let |
| | (8) Stopper |

- (a) The change lever is equipped for controlling the air flow toward Room and Defroster, under the front seat.
- (b) When removal of the heater change lever, remove the two 4 mm tapping screws on the stopper and pull out the joint assembly under the front seat.

