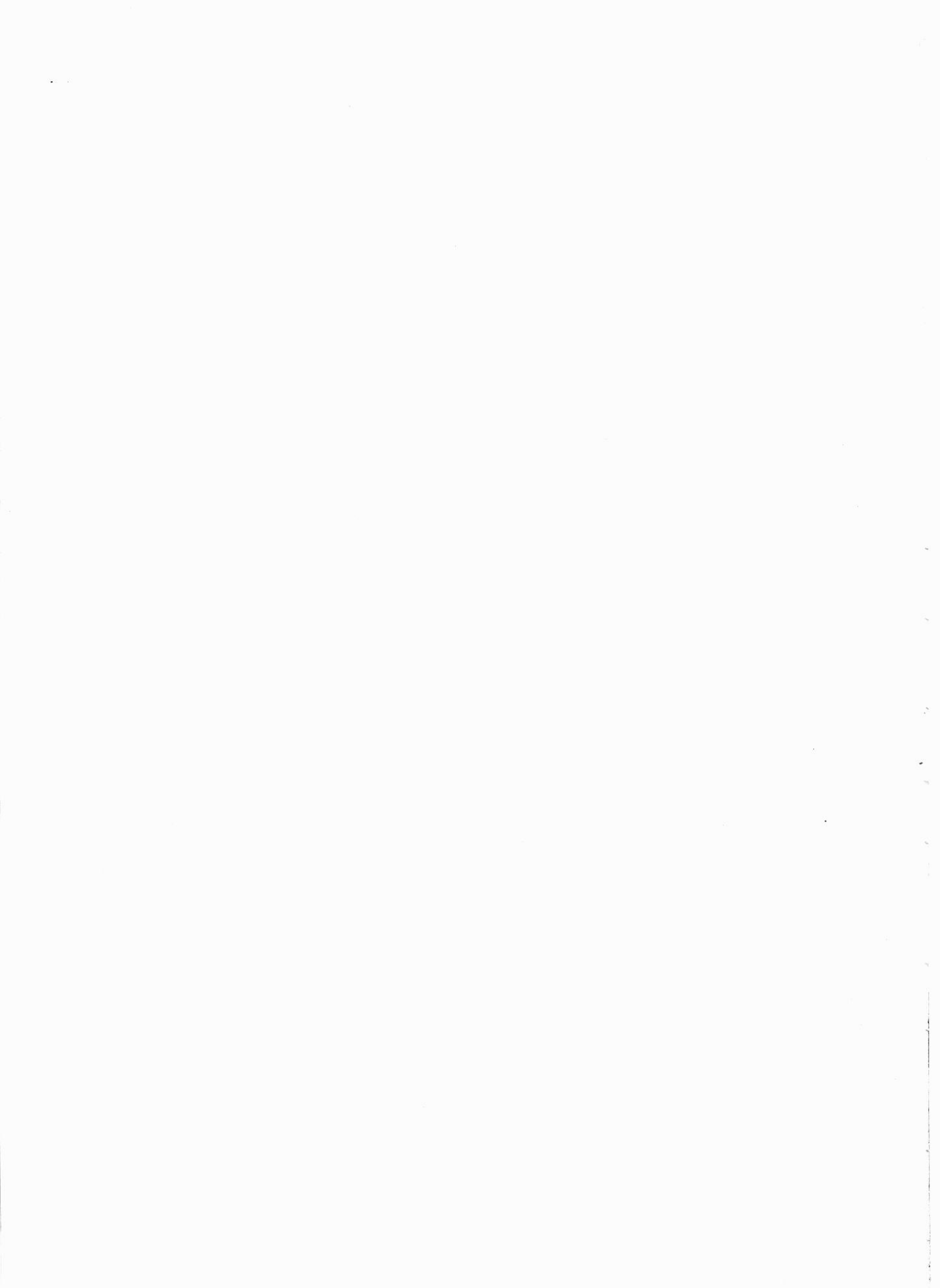


## **CHAPTER 13: SPECIAL TOOL**

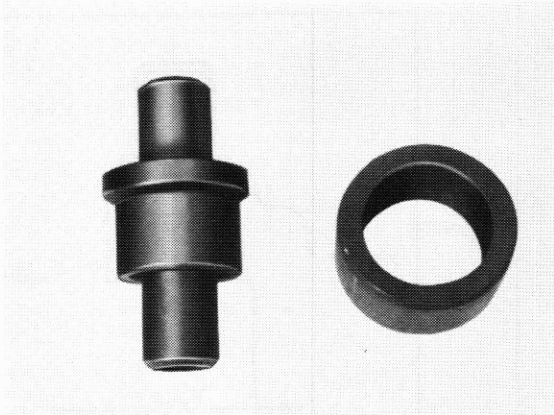


# CHAPTER 13: SPECIAL TOOL

## SPECIAL TOOL LIST

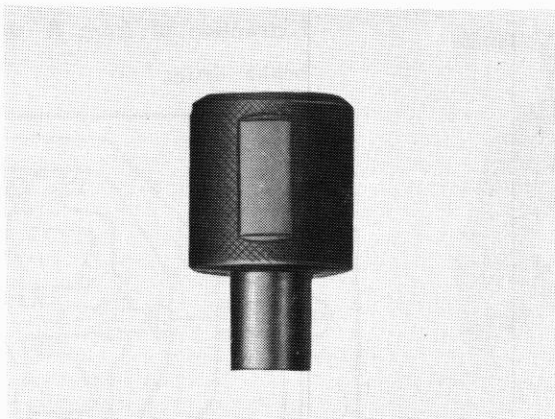
[ Body Section ]

	TOOL NO.	NOMENCLATURE	APPLICATION
1	921010000 (5E0136000)	REPLACING TOOL	Trailing arm bracket rubber bushing.



Extraction and Installation  
of trailing arm bracket  
rubber bushing.

	TOOL NO.	NOMENCLATURE	APPLICATION
2	921100000 (5E0133000)	INSTALLER	Trailing arm yoke nylon bushing.

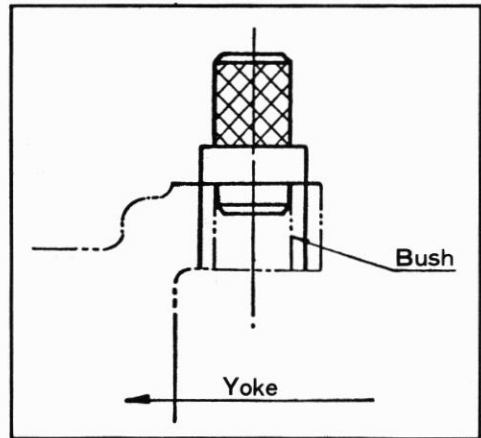


Installation of trailing arm  
yoke nylon bushing.

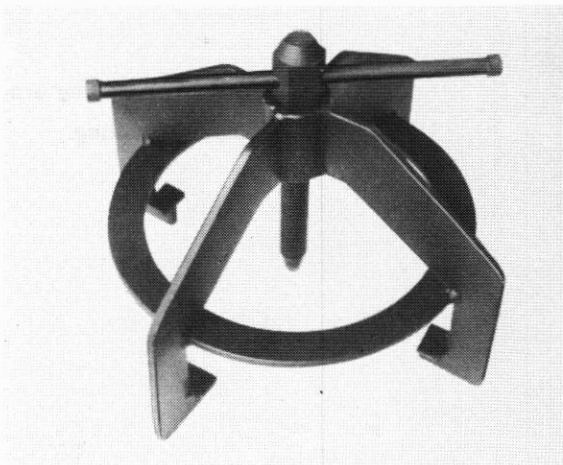
	TOOL NO.	NOMENCLATURE	APPLICATION
<b>3</b>	921110000 (1E1071001)	REMOVER	Trailing arm yoke nylon bushing.



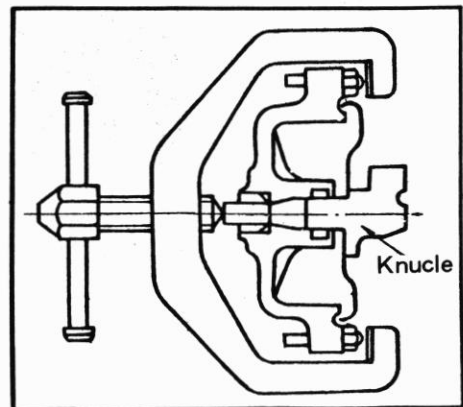
Extraction of trailing arm yoke nylon bushing.



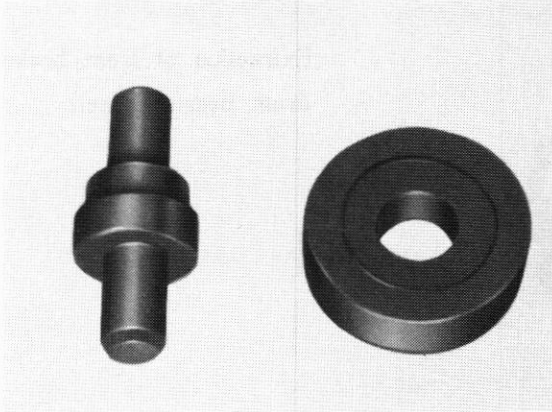
	TOOL NO.	NOMENCLATURE	APPLICATION
<b>4</b>	921120000 (1E2031002)	EXTRACTOR	Front & rear brake drum.



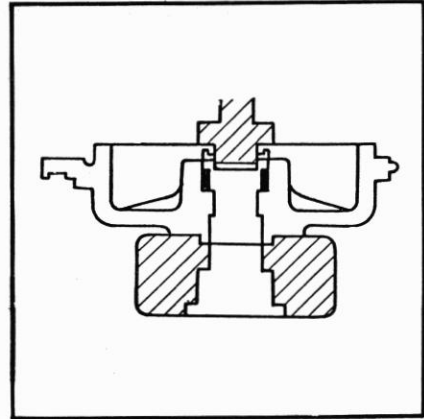
Extraction of front & rear brake drum.



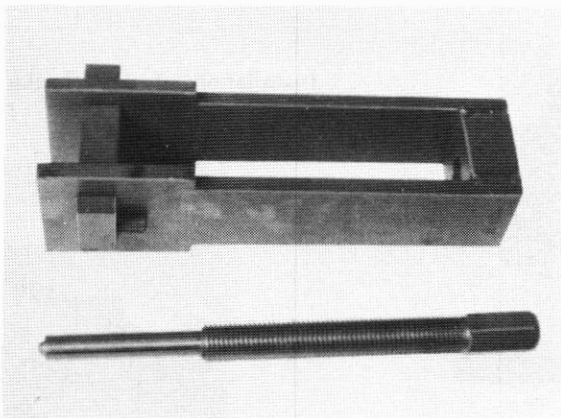
	TOOL NO.	NOMENCLATURE	APPLICATION
5	921130000 (5E0139000)	REPLACING TOOL	Front brake drum bearing.



Installation of front & rear  
brake drum bearing.

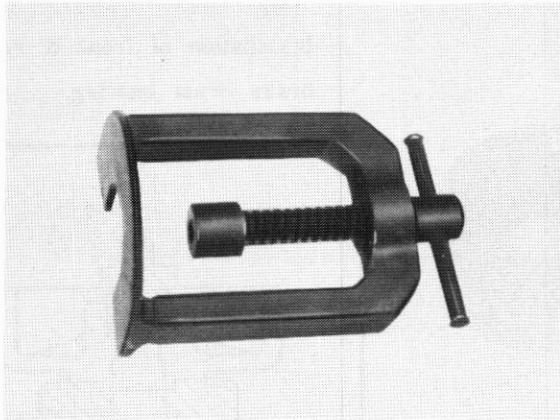


	TOOL NO.	NOMENCLATURE	APPLICATION
6	921140000 (5E0207000)	EXTRACTOR	King pin



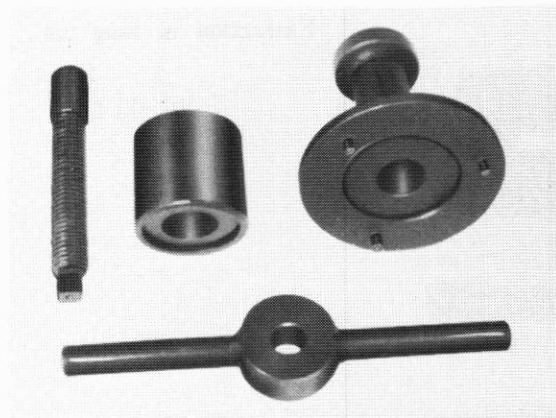
Extraction of king pin.

	TOOL NO.	NOMENCLATURE	APPLICATION
7	921150000 (1E2229001)	EXTRACTOR	Front brake drum bearing inner.



Extraction of front brake drum bearing inner.

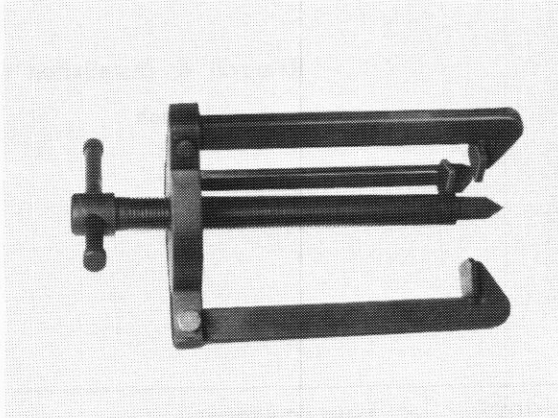
	TOOL NO.	NOMENCLATURE	APPLICATION
8	921180000 (1E1072002)	INSTALLER	Rear brake drum & hub.



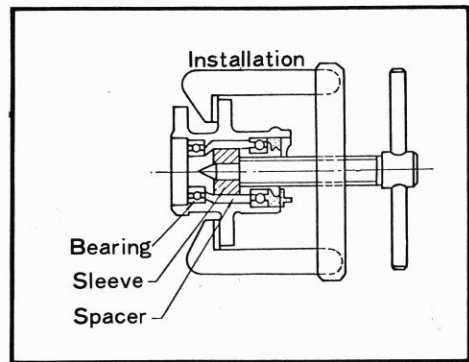
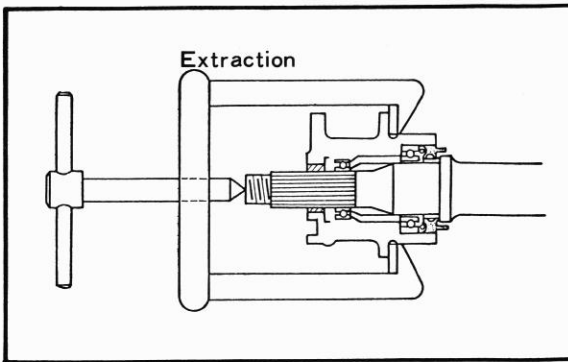
Installation of rear brake drum & hub.



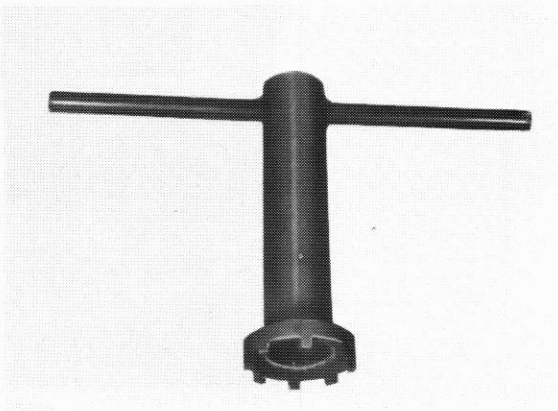
TOOL NO.	NOMENCLATURE	APPLICATION
9 921190000 (1E1075001)	REPLACING TOOL	Rear hub bearing



Extraction and Installation of rear axle hub bearing.

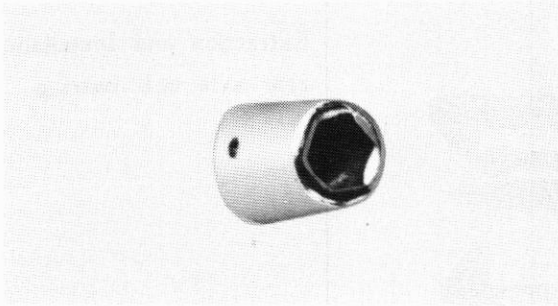


TOOL NO.	NOMENCLATURE	APPLICATION
10 921200000 (5E0019001)	WRENCH	Rear hub bearing nut.



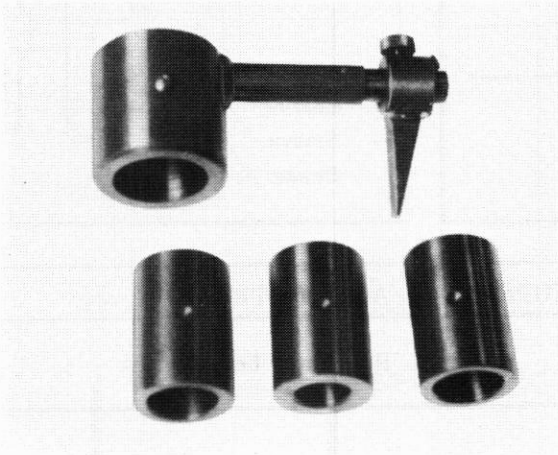
Removal & Installation of rear axle hub bearing nut.

	TOOL NO.	NOMENCLATURE	APPLICATION
11	921220000 (5E0128000)	SOCKET	Rear axle bolt



Removal & Installation of rear axle bolt.

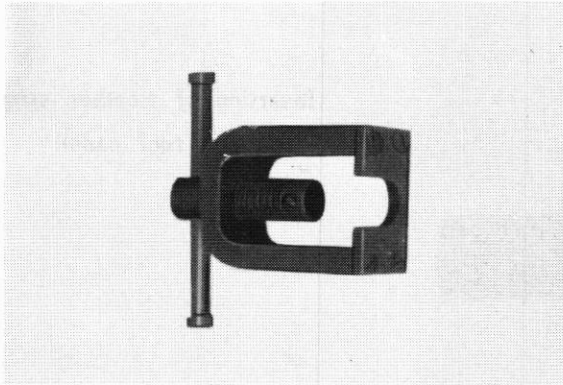
	TOOL NO.	NOMENCLATURE	APPLICATION
12	921230000 (1F0034003)	GAUGE	Front and rear brake lining.



Adjustment of front and rear brake lining.

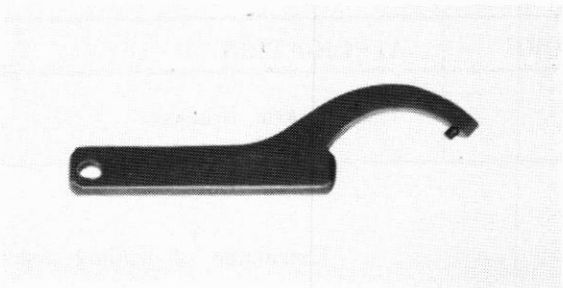


	TOOL NO.	NOMENCLATURE	APPLICATION
13	921240000 (1F0028003)	REMOVER	Tie-rod end ball stud.



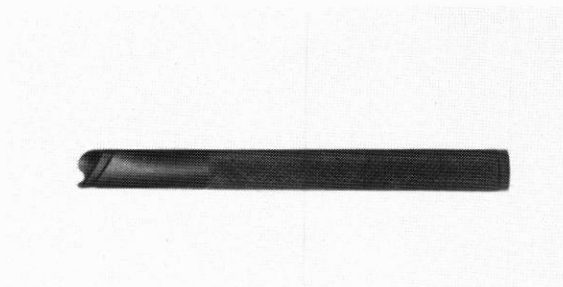
Extraction of tie-rod end bell stud and knuckle arm.

	TOOL NO.	NOMENCLATURE	APPLICATION
14	921270000 (5E0022001)	WRENCH	Ignition & starter switch



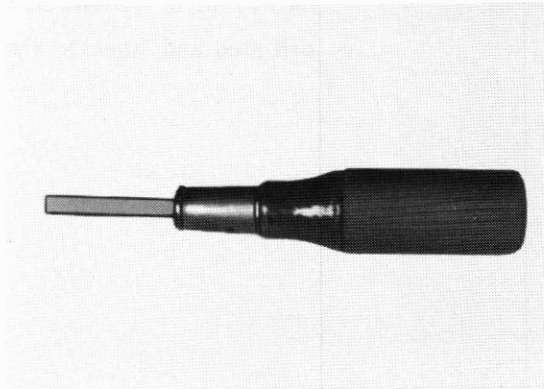
Removal and Installation of key switch.

	TOOL NO.	NOMENCLATURE	APPLICATION
15	921280000 (5E0053001)	INSERTER	Weather strip



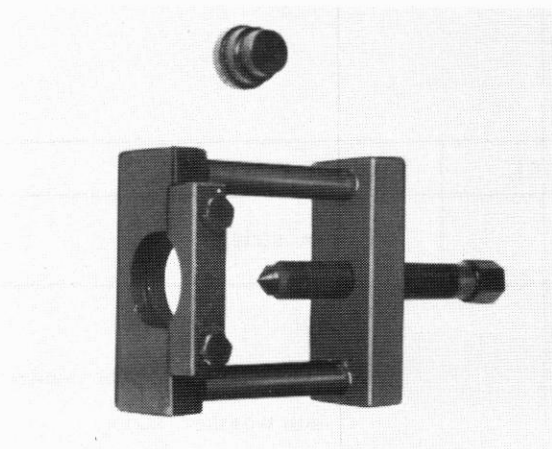
Insertion of rubber wedge into weather strip.

	TOOL NO.	NOMENCLATURE	APPLICATION
16	921290000 (5E0054001)	INSERTER	Weather strip



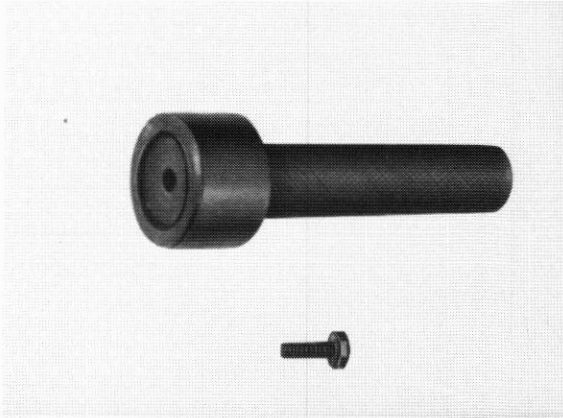
Insertion of weather strip,  
glass and roof panel.

	TOOL NO.	NOMENCLATURE	APPLICATION
17	921300000 (000921300)	EXTRACTOR	Trailing arm bracket.



Extraction of trailing arm  
bracket (front suspension).

	TOOL NO.	NOMENCLATURE	APPLICATION
<b>18</b>	921310000 (000921310)	INSTALLER	Trailing arm bracket



Installation of trailing arm  
bracket (front suspension).

	TOOL NO.	NOMENCLATURE	APPLICATION
<b>19</b>	922310000 (000922310)	CAP	Rear brake drum & hub



Installation of rear brake  
drum & hub.

